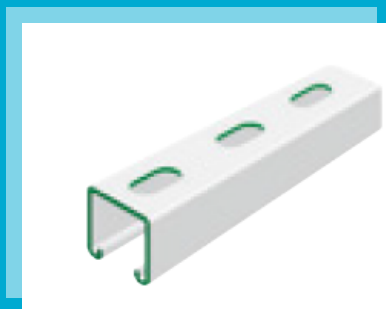
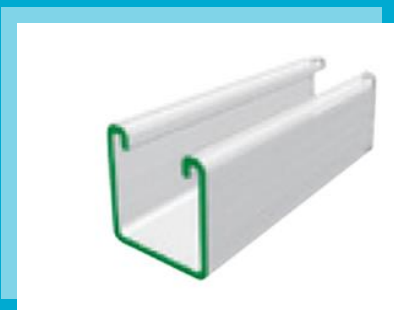


Support Systems

For Cable Tray & Cable Ladder

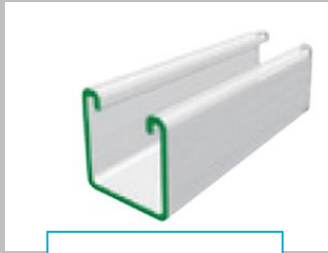


STRUT CHANNELS

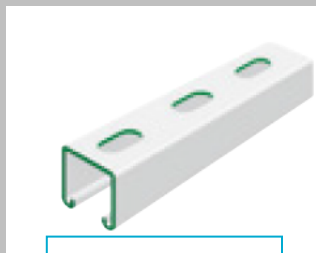
Channel Size
(Material Thickness)

41 × 41
(2 to 2.5 mm)

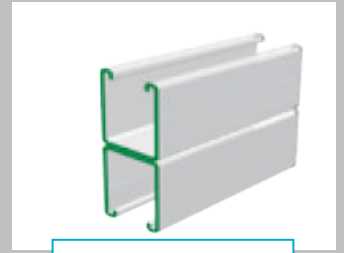
41 × 21
(2 to 2.5 mm)



Channel



Slotted Channel



Double Channel

What makes it different than others.....

Economical

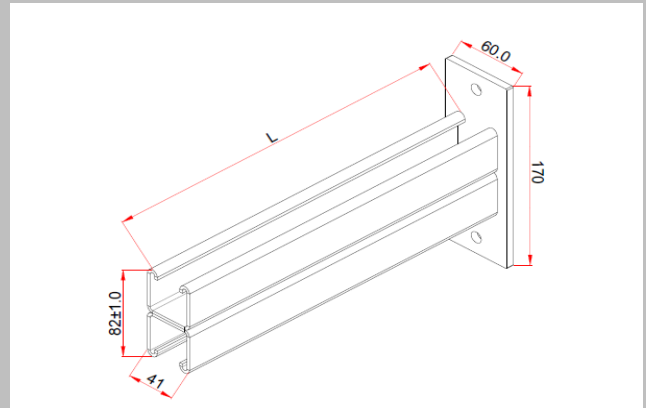
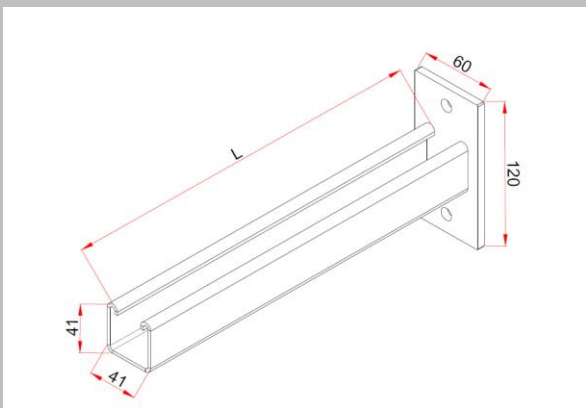
- No Welding (100% Reusable)
- No Drilling (100% Adjustable)
- Minimum Training
- Easy to Assemble

Material

Mild Steel
Pre-Galvanized

Finish

Hot-Dip Galvanized
Pre-Coated



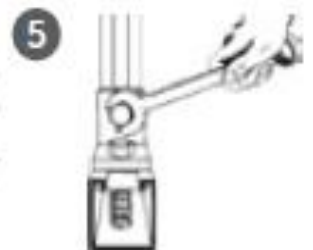
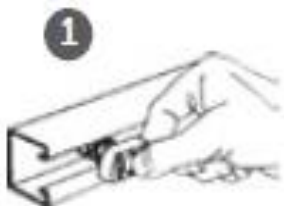
CHANNELS NUTS



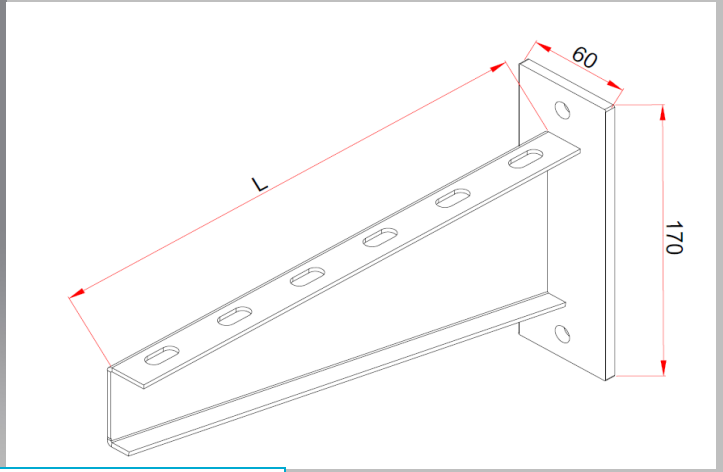
8MM

10MM

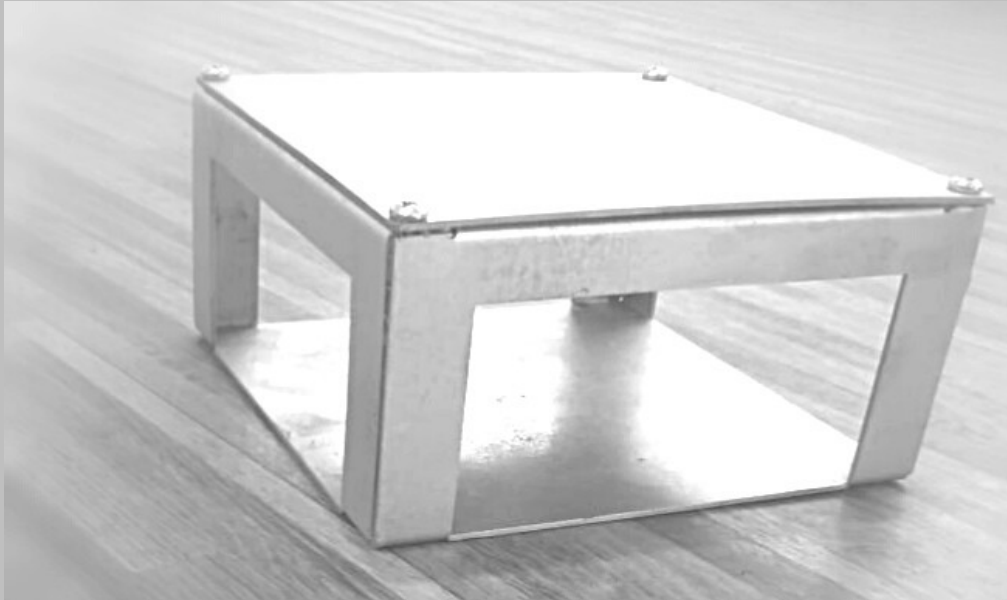
12MM



OTHER SUPPORT SYSTEMS



Cantilever Brackets/ Flexi Rack



Junction Box