

## NH DIN Fuse Bases, Rails and Accessories

### 1 Pole Fuse Bases for NH Fuses

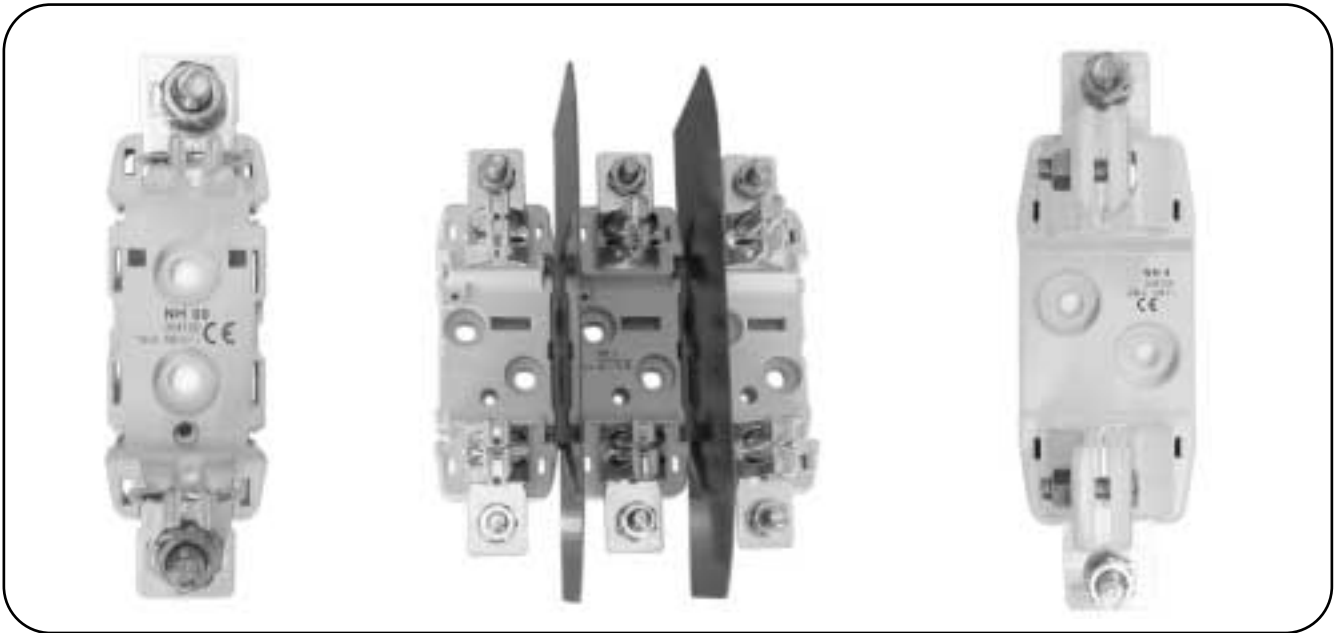


- For use with size C00 to Size 3 fuse links
- Fibreglass reinforced Polyester material
- Rated at 690V AC
- Approved to IEC 60269 (VDE 0636)
- Comprehensive range of accessories are available

#### Fuse Base Technical Data

Part Number	SB00	SB1	SB2	SB3
Size of Fuse links Accommodated	C00 (000)	01 (1S) & 1	02 (2S) & 2	03 & 3
Rated Current	160A	250A	400A	630A
Maximum power loss of fuse links	12W	32W	45W	60W
Rated Voltage	690V AC			
Degree of Protection	IP 20			
Resistance to Climatic conditions	Tropical			
Weight	0.130 kg	0.360 kg	0.420 kg	
Packing	3 pieces per box			

For Fuse Base Accessories, see page 171-172



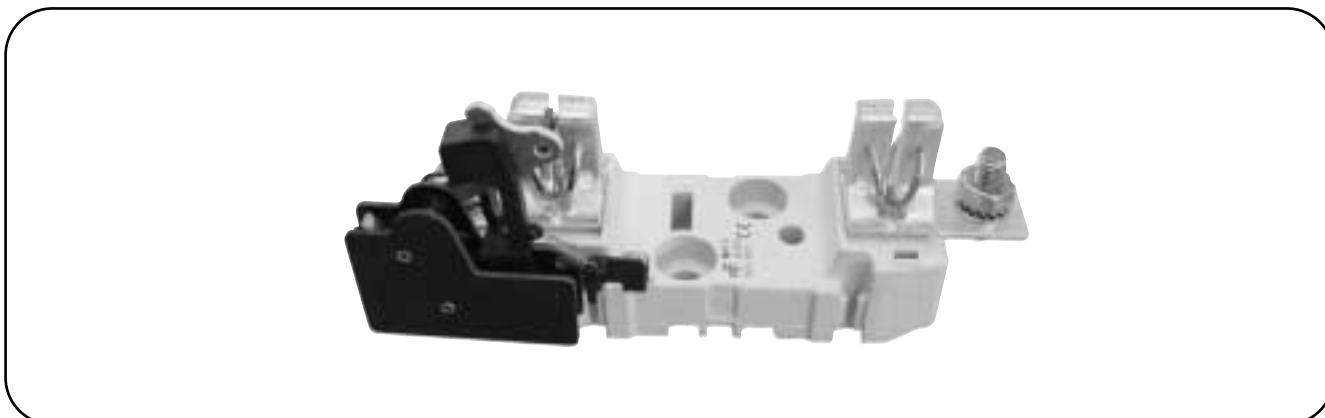
**STANDARDS**

IEC 60269-1 IEC 60269-2 IEC 60269-1 IEC 60269-2-1 IEC 60269-2 VDE 0636 - DIN 43620

Size	Poles	Rated Current (A)	Rated Voltage (V)	DIN Rail Fixing Part No.	Screw Mounting Part No.	Packing
<b>NH00</b>	1 P	160	690	SB00-D	SB00-S	3
	3 P	160	690	TB00-D	TB00-S	1
<b>NH0</b>	1 P	160	690	SB0-D	SB0-S	3
	3 P	160	690	TB0-D	TB0-S	1
<b>NH1</b>	1 P	250	690	SB1-D	SB1-S	3
	3 P	250	690	TB1-D	TB1-S	1
<b>NH2</b>	1 P	400	690	SB2-D	SB2-S	3
	3 P	400	690	TB2-D	TB2-S	1
<b>NH3</b>	1 P	630	690	SB3-D	SB3-S	3
	3 P	630	690	TB3-D	TB3-S	1
<b>NH4</b>	1 P	1600	690	-	SB4-S	1

For Fuse Base Accessories, see page 171-172

## NH Fuse with Micro Switch

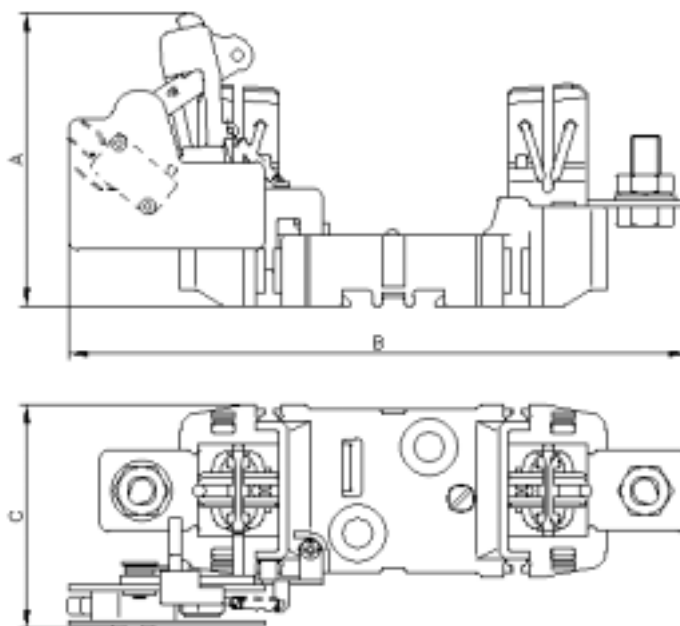


### STANDARDS

IEC 60269-1 IEC 60269-2 IEC 60269-1 IEC 60269-2-1 IEC 60269-2 VDE 0636 - DIN 43620

For use with NH Fuse Links fitted with Strikers

Size	Poles	Rated Current (A)	Rated Voltage (V)	DIN Rail Fixing Part No.	Screw Mounting Part No.	Packing
NH0	1 P	160	690	SB0-DMS	-	1
NH1	1 P	250	690	SB1-DMS	-	1
NH2	1 P	400	690	SB2-DMS	-	1
NH3	1 P	630	690	SB3-DMS	-	1
NH4	1 P	1250	690	-	SB4-SMS	1

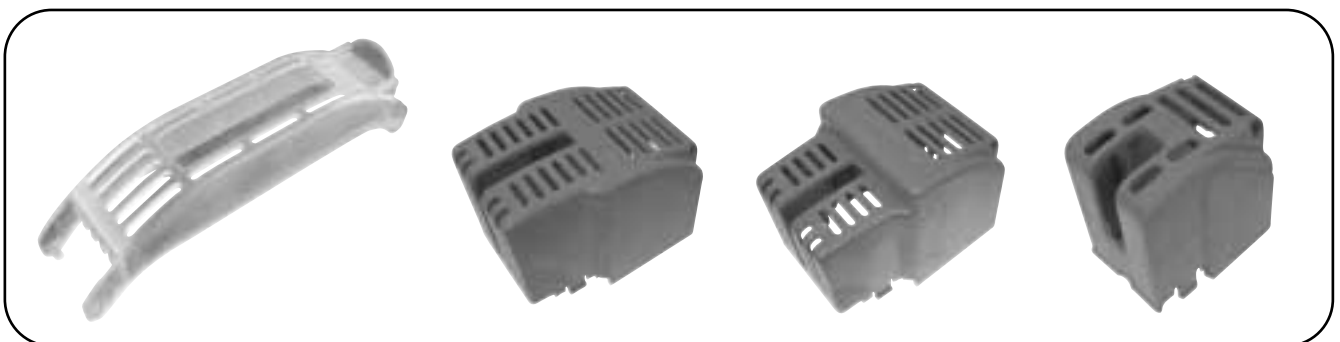


	NH0	NH1	NH2	NH3	NH4
<b>A</b>	90	98	102	102	140
<b>B</b>	193	215	227	235	284
<b>C</b>	65.5	76	76	76	113

## NH Fuse Bases Accessories



Size	Max Rated Current In (A)	Separating Plates Part No.	Connector Part No.	Packing
NH00	160	SP00	BC00	2
NH0	160	SP0	BC0	2
NH1-2	250/400	SP1-2	BC1-2	2
NH3	630	SP3	BC3	2
NH4	1250	SP4	-	2



## FUSE COVERS AND TERMINAL SHIELDS

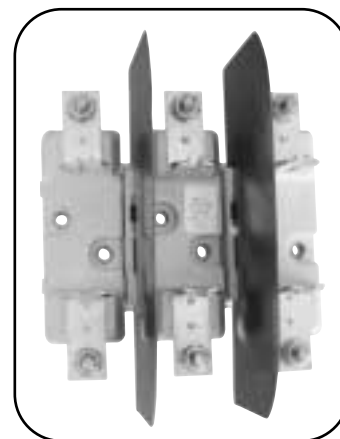
Size	Max Rated Current In (A)	Fuse Cover Part No.	Packing	Terminal Shields Part No.	Packing
NH00	160	FC00	3	CS00	6
NH0	160	FC0	-	CS0	-
NH1	250	FC1	-	CS1	6
NH2	400	FC2	-	CS2	6
NH3	630	FC3	-	CS3	-
NH4	1000	FC4	-	CS4	-

FUSE BASES WITH SQUARE CONTACTS

IEC 60269-1 IEC 60269-2 IEC 60269-1 IEC 60269-2-1 IEC 60269-2 VDE 0636 - DIN 43620

Square Contact

Size	Poles	Rated Current In (A)	Rated Voltage U (V)	DIN Rail Fixing Part No.	Screw Fixing Part No.	Packing
<b>NH00</b>	1 P	160	690	SB00-EC	SB00-EC	3
	3 P	160	690	TB00-EC	TB00-EC	1
<b>NH0</b>	1 P	160	690	SB0-EC	SB0-EC	3
	3 P	160	690	TB0-EC	TB0-EC	1
<b>NH1</b>	1 P+N	160	690	-	SB1-ECS	3
	3 P	160	690	-	TB1-ECS	1
<b>NH2</b>	1 P	160	690	-	SB2-ECS	3
	3 P	160	690	-	TB2-ECS	1



Spring Contact

Size	Poles	Rated Voltage U (V)	Screw Fixing Part No.	Packing
<b>NH1</b>	1 P	690	SB1-ECSS	3
	3 P	690	TB1-ECSS	1
<b>NH2</b>	1 P	690	SB2-ECSS	3
	3 P	690	TB2-ECSS	1
<b>NH3</b>	1 P	690	SB3-ECSS	3
	3 P	690	TB3-ECSS	1



Separating Plates

Size	Rated Current In (A)	Pressure Fixing	Square Fixing Part No.	Packing
<b>NH00</b>	160	SP00	SP00-SQ	2
<b>NH0</b>	160	SP0	SPO-SQ	2
<b>NH1-2</b>	250/400	SP1-2	SP1-2-SQ	2
<b>NH3</b>	630	SP3	SP3-SQ	2



## 1 Pole Fuse Bases for NH Fuses



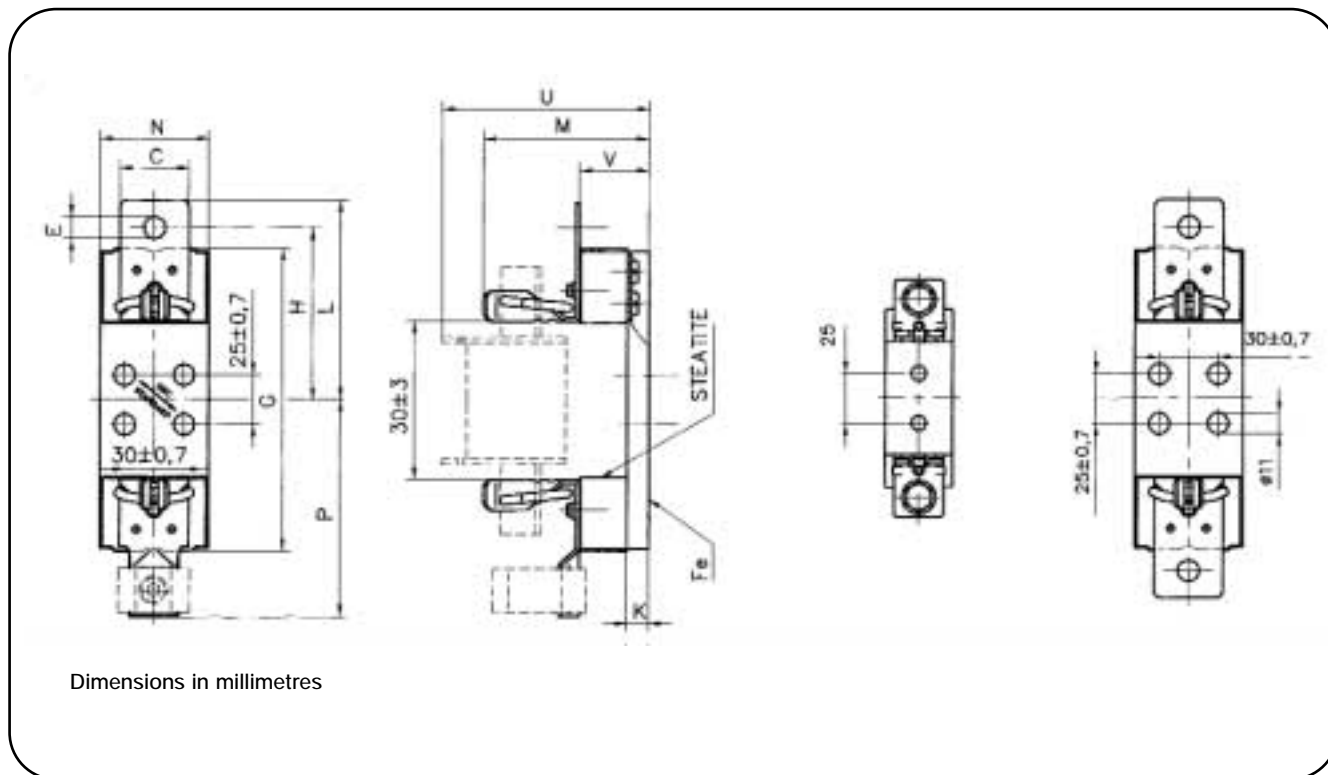
- For use with size C00 to Size 3 fuse links
- Steatite material
- Rated at 690V AC
- Approved to IEC 60269 (VDE 0636)
- Comprehensive range of accessories are available

### Fuse Base Technical Data

Part Number	SBS00	SBS1	SBS2	SBS3
Size of Fuse links Accommodated	C00 (000)	01 (1S) & 1	02 (2S) & 2	03 (3S) & 3
Rated Current	160A	250A	400A	630A
Maximum power loss of fuse links	12W	32W	45W	60W
Rated Voltage	690V AC			
Degree of Protection	IP 00			
Resistance to Climatic conditions	Normal and Tropical			
Weight	0.280 kg	0.700 kg	0.810 kg	0.870 kg
Packing	3 pieces per box			

# 1 Pole Fuse Bases for NH Fuses

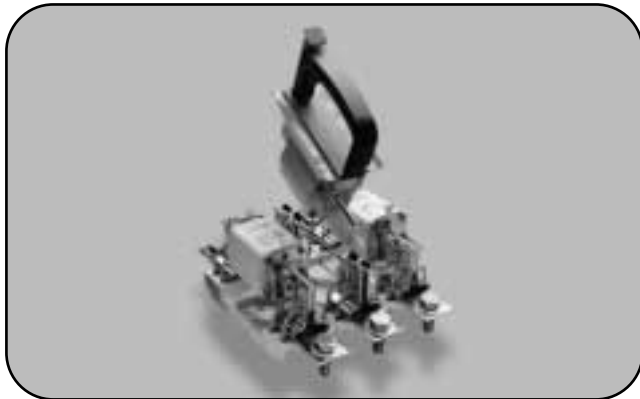
Dimensional Data



Bussmann Part Number	C	E	G	H	K	L	M	N	P	U	V
SBS00	25	M8	90	50	5,5	60,2	58,5	34	-	84	25
SBS00-MV	25/-	M8/-	90	50/-	5,5	60,2/-	58,5	34	-/80,5	84	25
SBS00-VV	-	-	90	-	5,5	-	58,5	34	80,5	84	25
SBS-1	35	M10	153	87,5	11	100	84	55	-	108	35
SBS1-MM	35	M10	153	87,5	11	100	84	55	-	108	35
SBS1-WW	-	-	153	-	11	-	84	55	110	108	35
SBS1-SW	35/-	M10/-	153	87,5/-	11	100/-	84	55	-/110	108	35
SBS1-MW	35/-	M10/-	153	87,5/-	11	100/-	84	55	-/110	108	35
SBS2	35	M10	153	100	11	114	90	55	-	116	35
SBS2-MM	35	M10	153	100	11	114	90	55	-	116	35
SBS2-WW	-	-	153	-	11	-	90	55	114	116	35
SBS2-SW	35/-	M10/-	153	100/-	11	114/-	90	55	-/114	116	35
SBS2-MW	35/-	M10/-	153	100/-	11	114/-	90	55	-/114	116	35
SBS3	40	M10	153	105	11	119	92	55	-	122	35
SBS3-MM	40	M10	153	105	11	119	92	55	-	122	35

all dimensions in millimetres

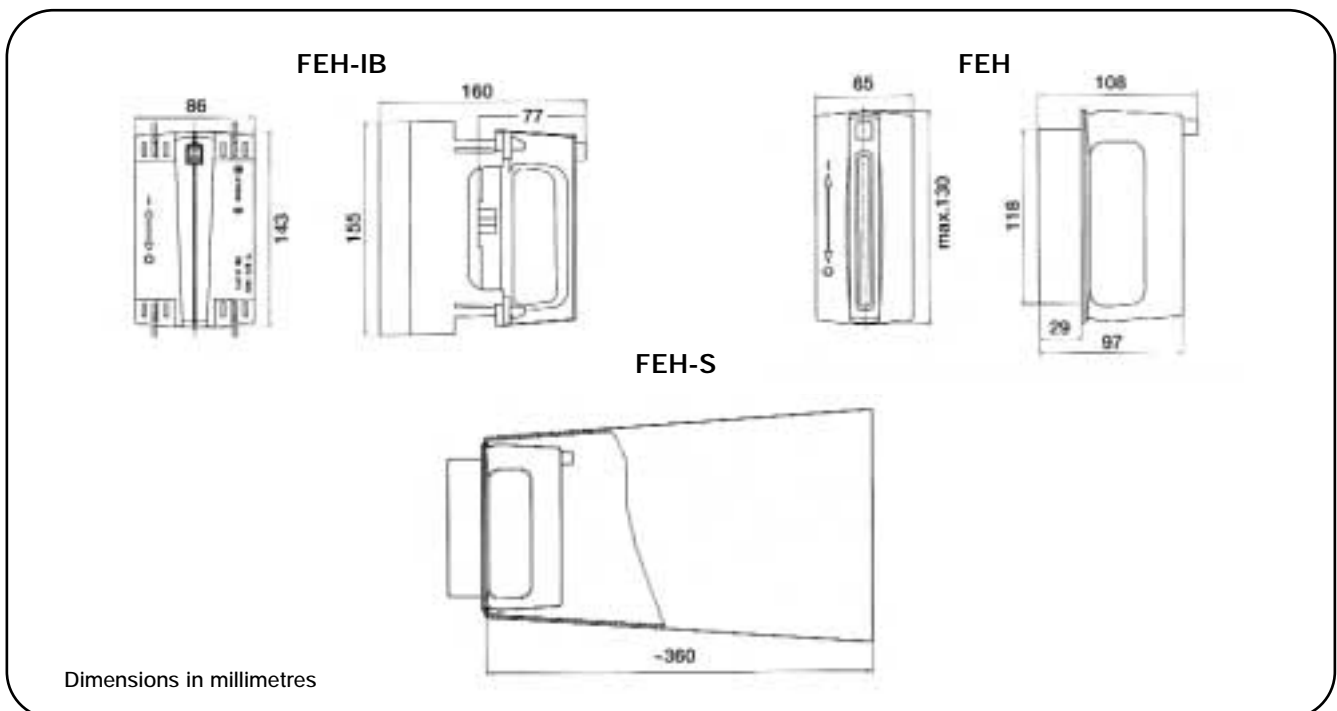
## Fuse Extraction Handle



- For use with size C00 to Size 3 fuse links
- Rated at 690V AC

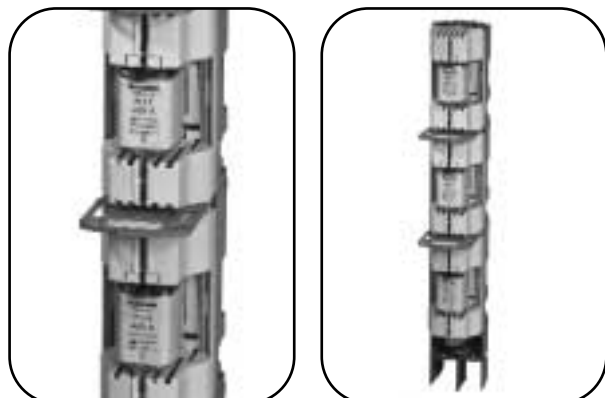
### Fuse Extraction Handle Technical Data

Part Number	FEH	FEH-IB	FEH-S
	Basic Handle	With Insulated Barriers	Sleeved
Size of Fuse links to be used with	C00, 00, 0, 01, 1, 02, 2, 03, 3		
Insulating Voltage	690V AC		
Resistance to Climatic Conditions	Normal and Tropical		
Weight	0.220 kg	0.520 kg	0.520 kg
Packaging	1 piece per carton		





### 3 Pole Fuse Rail for NH Fuses



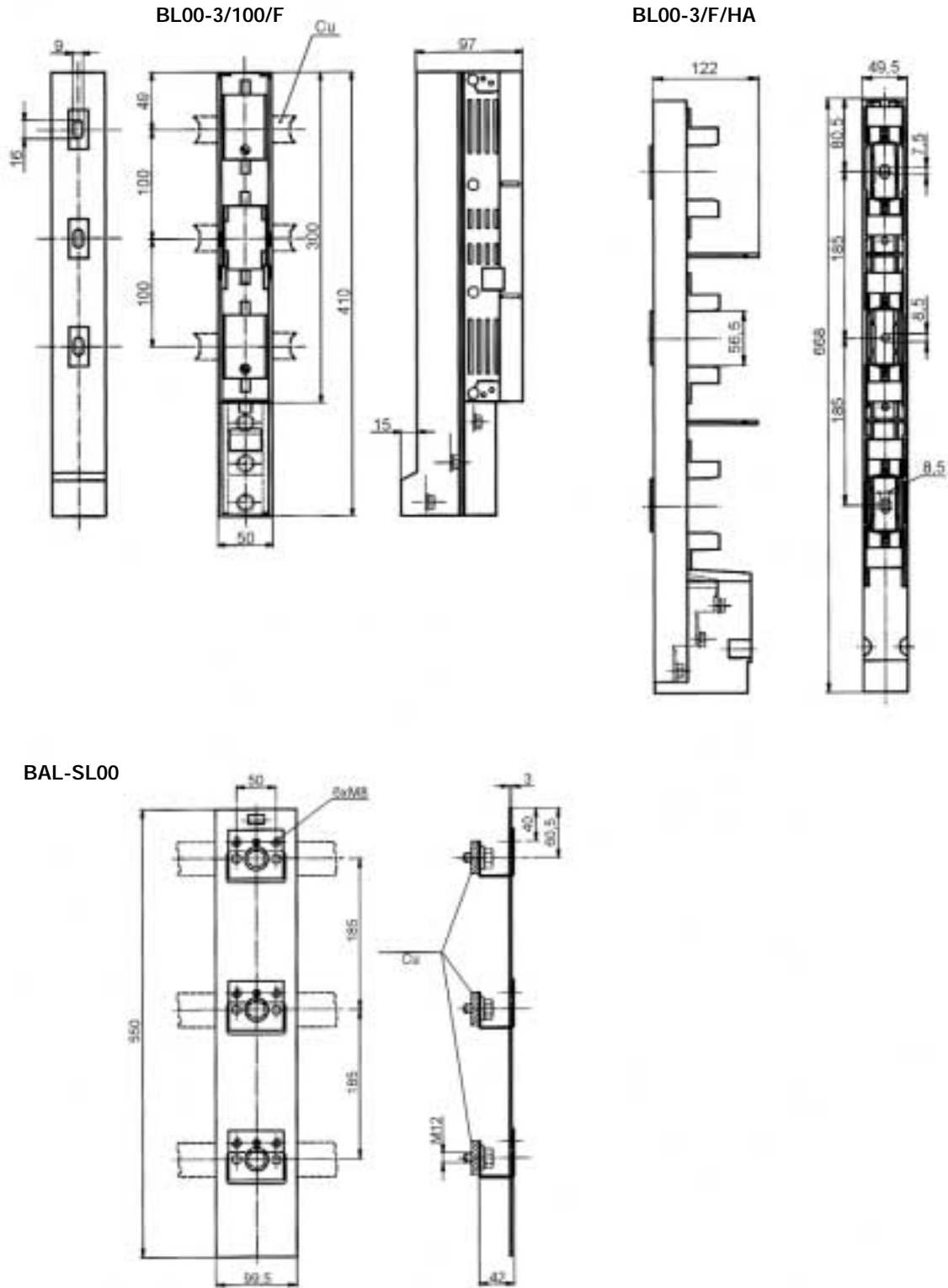
- For use with size C00 to Size 3 fuse links
- Fully shrouded 3 pole contacts
- Rated at 690V AC
- Comprehensive range of accessories
- Contact Bussmann for part number information

#### Fuse Base Technical Data

Part Number	BFR00 Series	BFR1 Series	BFR2 Series	BFR3 Series
Size of Fuse links Accommodated	C00 (000)	01 (1S) & 1	02 (2S) & 2	03 (3S) & 3
Rated Current	160A	250A	400A	630A
Maximum power loss of fuse links	12W	32W	45W	60W
Rated Voltage	690V AC			

### 3 Pole Fuse Rail

Dimensional Sketches

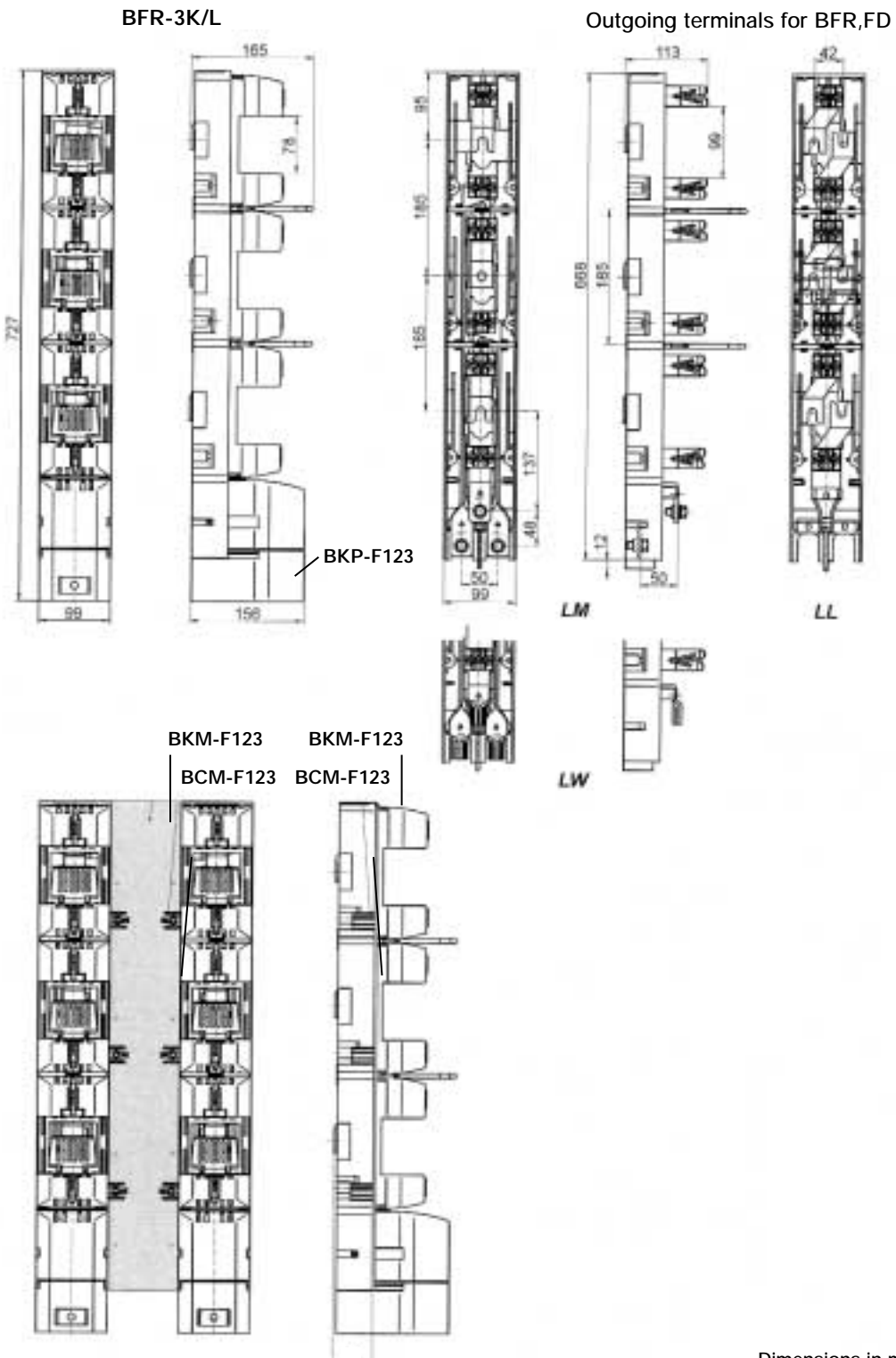


Dimensions in millimetres

- Contact Bussmann for further information

# Fuse Rails for NH Fuses

Dimensional Sketches



Dimensions in millimetres

## Horizontal Fuse Switch - Disconnectors



- For use with size C00 to Size 3 fuse links
- Rated at 690V AC
- Comprehensive range of accessories

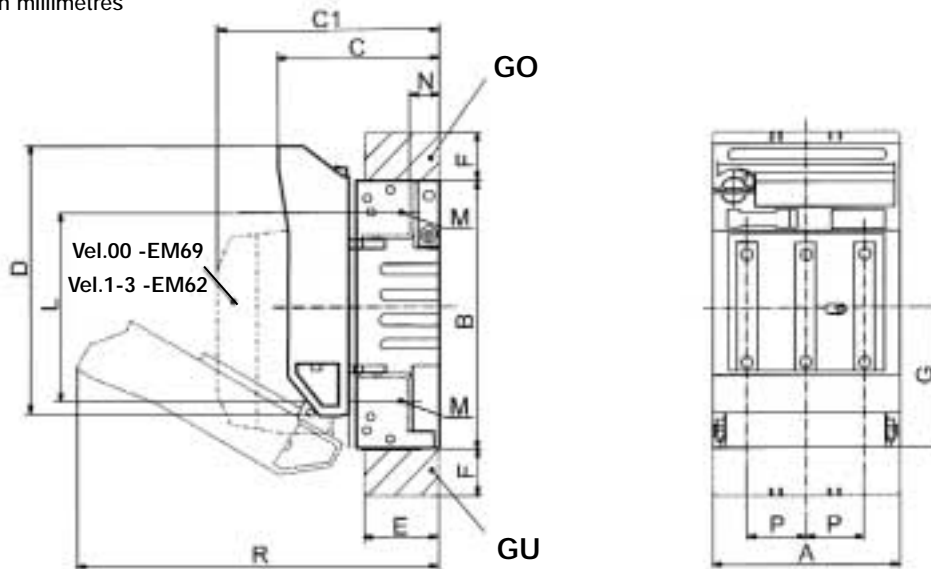
### Fuse Base Technical Data

Part Number	LBS00	LBS1	LBS2	LBS3	LBS4a
Size of Fuse links Accommodated	C00 (000)	01 (1S) & 1	02 (2S) & 2	03 (3S) & 3	4a
Number of Poles Available	1,2,3,& 4	1,2,3,& 4	3	1,2,3,& 4	1 & 3
Maximum power loss of fuse links	12W	23W	34W	48W	110W
Rated Current	160A	250A	400A	630A	1250A
Rated Voltage	690V AC				
Conditional Short-circuit Current	50 kA				
Utilisation Category	AC22B	AC22B	AC22B	-	AC21
Rated Making Capacity @ 690Vac	480A	750A	1200A	1500A	1875A
Mechanical Durability (cycles)	1700	1400	800	800	1000
Weight	0.720 kg	2.500 kg	3.100 kg	4.800 kg	16.800 kg
Degree of Protection	IP 20				
Permissible Ambient Temperature	-25°C to +55°C				
Altitude Limit (metres)	Up to 2000m				Up to 3000m
Overtoltage Category	AC III	AC III	AC III	AC III	AC III
Seismic Withstand Capability	3g / 8 to 50Hz				-

Dimensional Data

Horizontal Fuse Switch - Disconnectors

Dimensions in millimetres

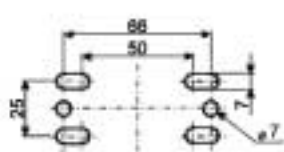


Type	A mm	B mm	C mm	C1 mm	D mm	E mm	F mm	G mm	R mm	L mm	N mm	M mm	P mm
LBS00	105,5	149	90	132	151	43	25	79	196	120	17	M8	33
LBS1	184	230	120	158	216	64	44	110	295	177	24	M10	58
LBS2	210	256	135	171	241	79	70	128	335	205	24	M10	66
LBS3	254	270	145	185	241	93,5	93,5	138	348	219,5	30,5	M10	82

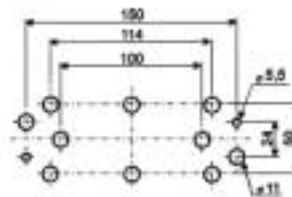
all dimensions in millimetres

Dimensions in millimetres

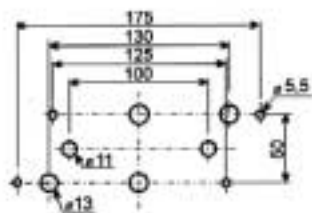
Size 00



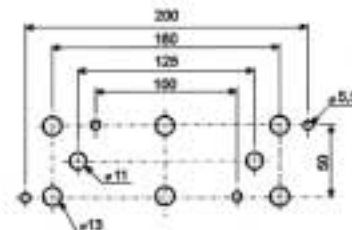
Size 1



Size 2



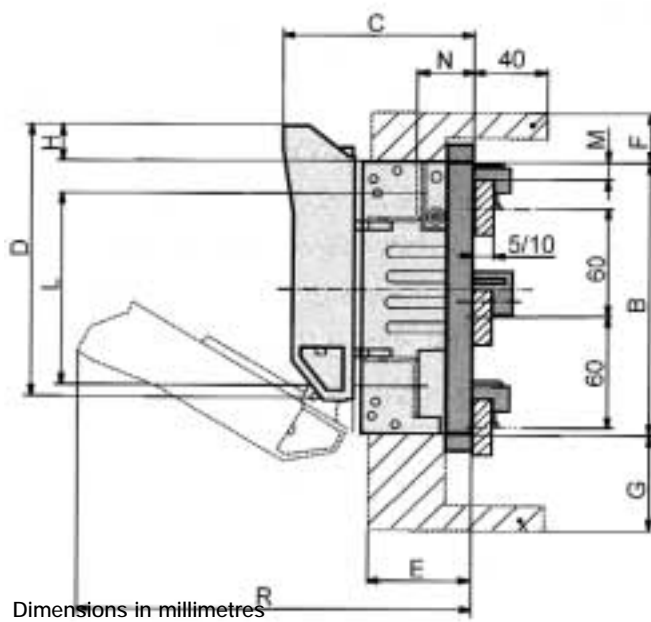
Size 3



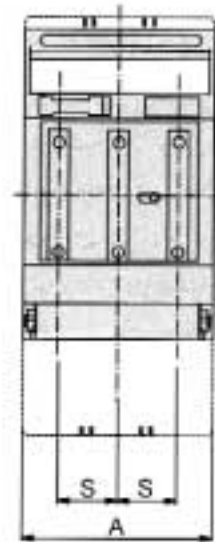
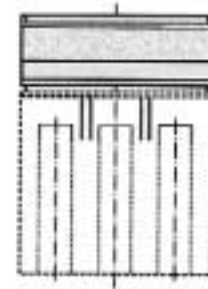
# Horizontal Fuse Switch - Disconnectors

Dimensional Data

Fuse switch-disconnector LBS00 with adapter for busbar systems



Dimensions in millimetres

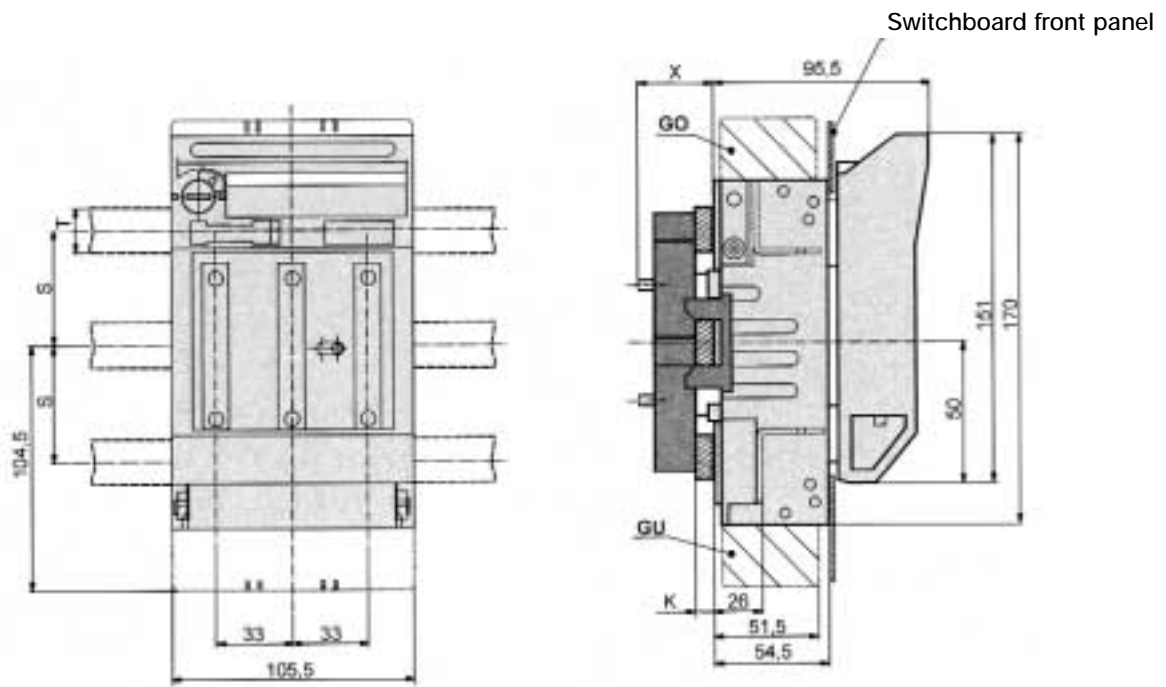


Type	A mm	B mm	C mm	C1 mm	D mm	E mm	F mm	G mm	H mm	L mm	N mm	M mm	R mm	S mm
LBS00+AL06030/..	105,5	149	102	135	151	58	27,5	53	21	120	10	32	215	33
LBS1+AL16030/..	184	230	138	173	220	79	44	44	17	177	50	39,5	312	58

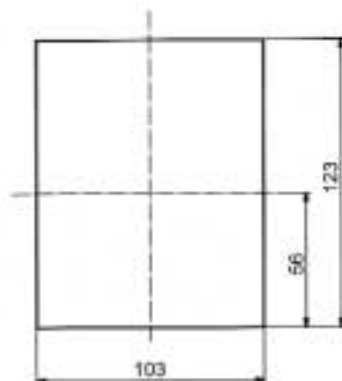
all dimensions in millimetres

## Horizontal Fuse Switch - Disconnectors

Dimensional Data



Cut-out in front desk of a switchboard



Dimensions in millimetres

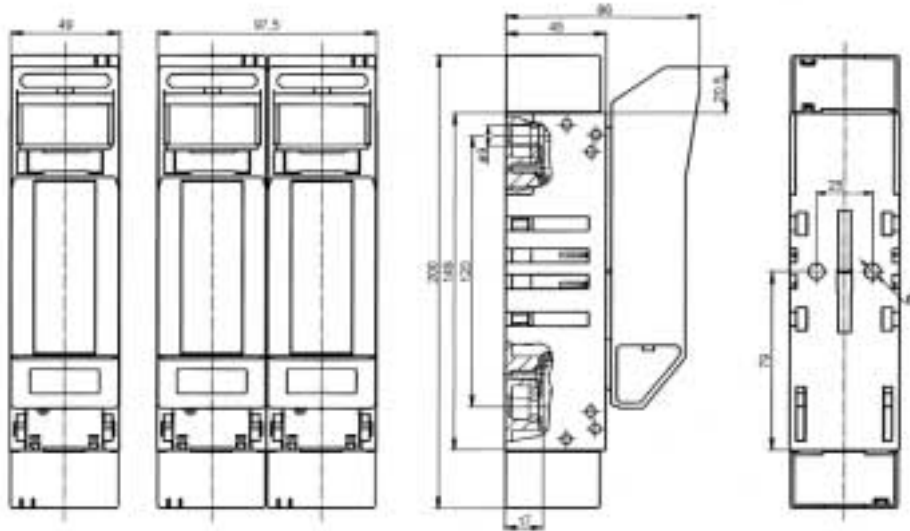
Type	S mm	T mm	K mm	X mm
LBS00-3/9/4012/..	40	12	5-10	26
LBS00-3/9/5020/..	50	20	5-15	33
LBS00-3/9/6030/..	60	30	5-10	26

# Horizontal Fuse Switch - Disconnectors

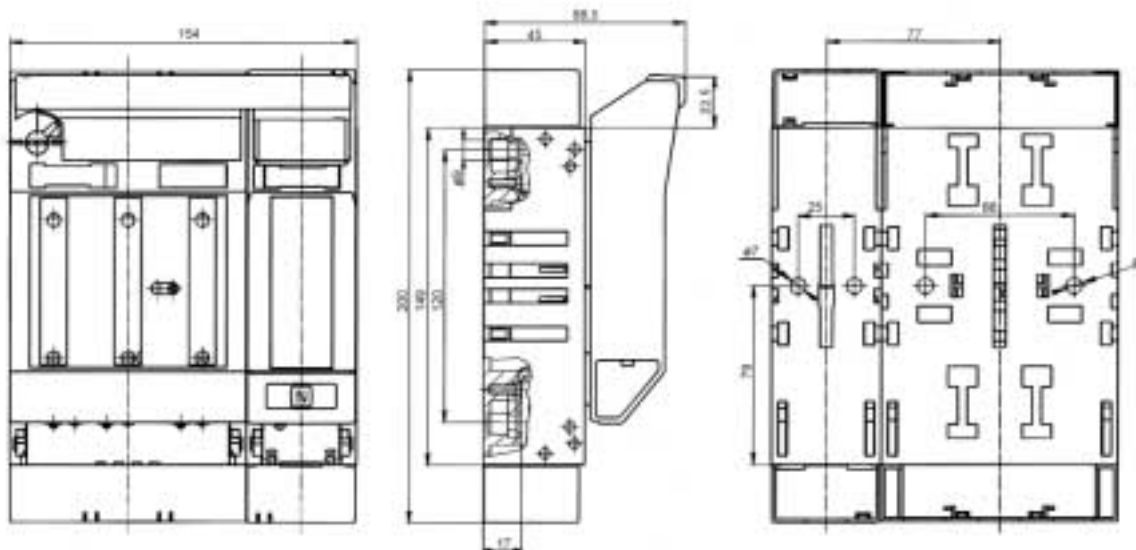
Dimensional Data

LBS00 1 Pole and 2 Pole

Dimensions in millimetres



LBS00 3 Pole



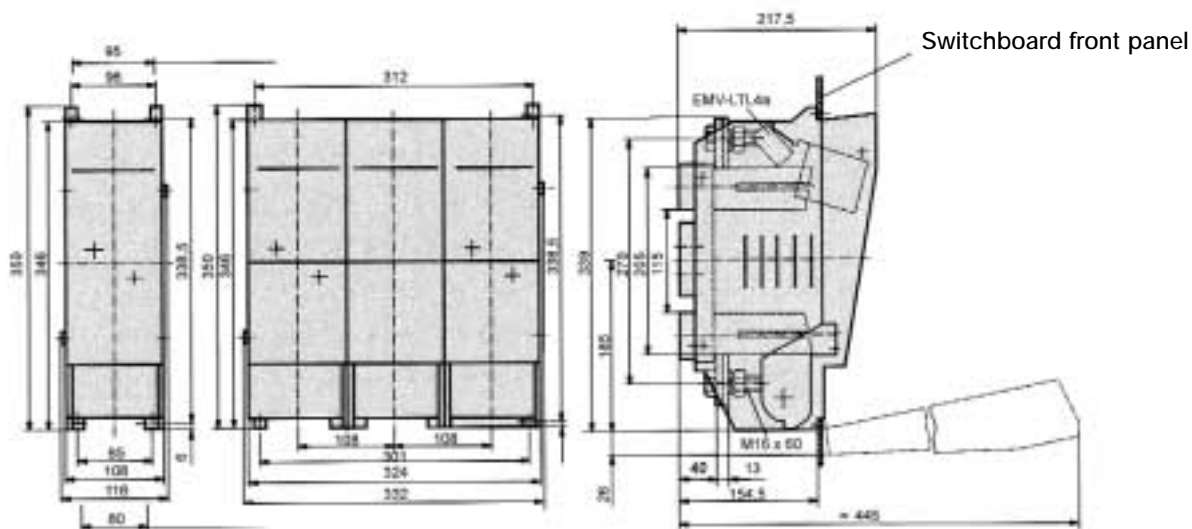
Number of poles		A mm	B mm	C mm	D mm	E mm	F mm	G mm	H mm	I mm	K mm	L mm	M mm	N mm	O mm	P mm	R mm	S mm	T mm	U mm	V mm	W mm	X mm
1	LBS1-1/9/U	69	-	-	-	119	-	-	-	-	-	-	-	-	-	-	-	-	-	-	-	-	-
2	LBS1-2/9/U	138	230	317	68	123,5	102,5	102,5	25	30	10,5	10,5	177	25	69	-	-	-	-	-	-	-	-
4	LBS1-4/9/U	252,5	-	-	-	123,5	-	-	-	-	-	-	-	-	150	100	114	25	50	11	5,5	126	11
1	LBS3-1/9/U	91	-	-	-	147	-	-	-	-	-	-	-	-	-	-	-	-	-	-	-	-	-
2	LBS3-1/9/U	182	270	431	96	151,5	122,5	122,5	25	30	10,5	10,5	220,5	30,5	91	-	-	-	-	-	-	-	-
4	LBS3-1/9/U	347	-	-	-	153,5	-	-	-	-	-	-	-	-	200	125	160	25	50	13	5,5	173,5	11



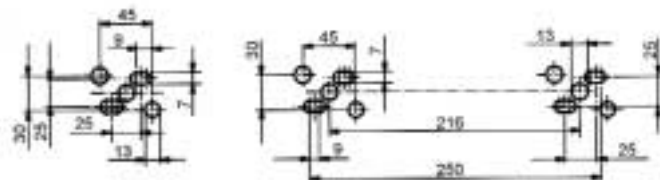
# Horizontal Fuse Switch - Disconnectors

Dimensional Data

Fuse switch-disconnector LBS4a

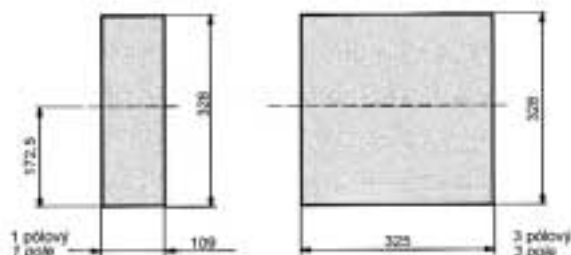


Fixing holes

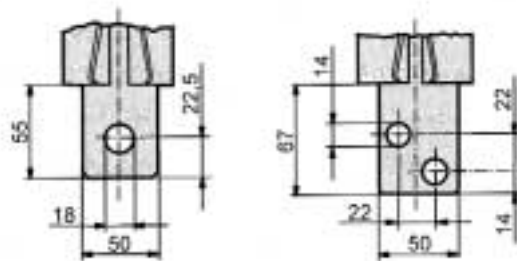


LBS4a-3x and LBS4a-3x3 have the same dimensions

Panel apertures



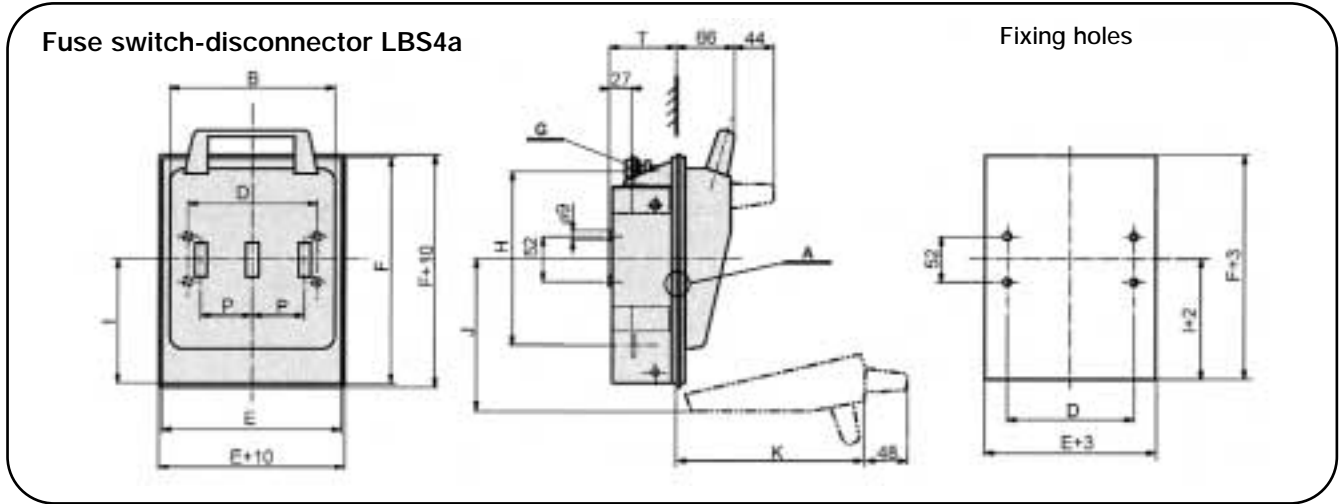
Terminals



Dimensions in millimetres

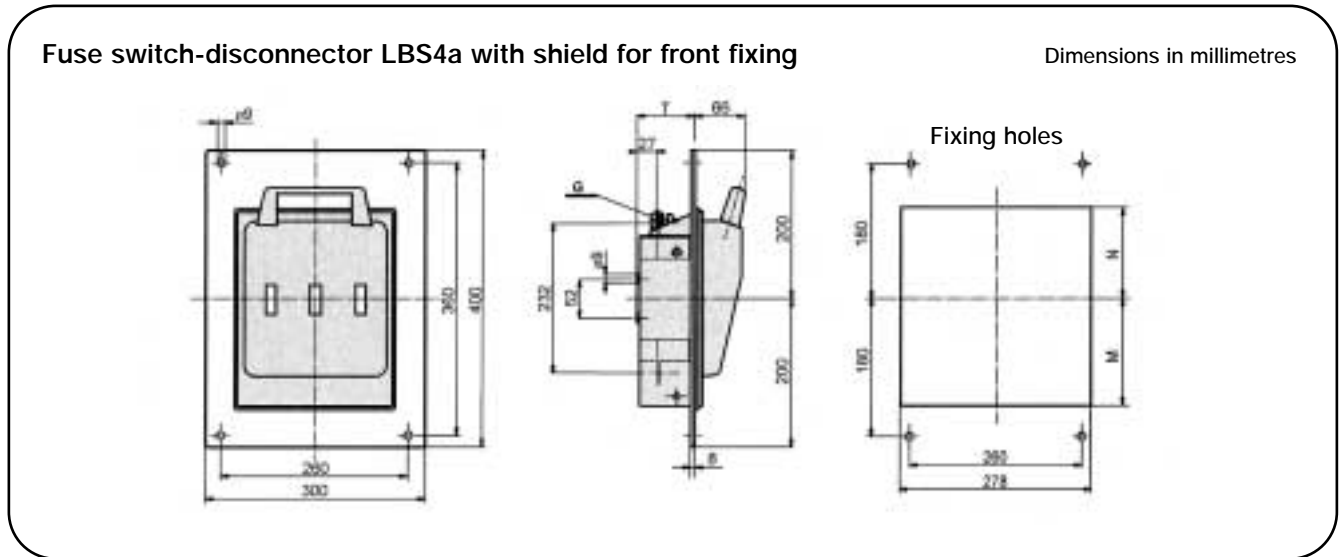
## Fuse Bases for NH Fuse Links

Dimensional Data



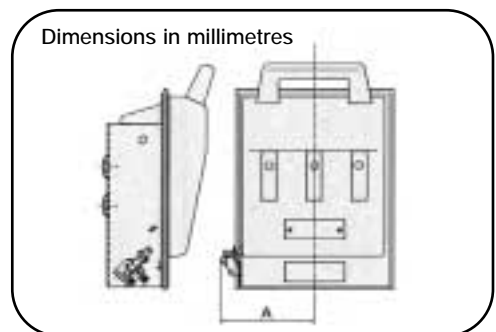
Type	Rated Current	mm	B mm	D mm	E mm	F mm	H mm	I mm	J mm	K mm	M mm	N mm	P mm	TG mm
LBS4a	250 A	194	150	200	260	186	175	M10	220	142	126	60	82	M10
LBS4a	400 A	254	174	260	290	214	195	M12	254	162	135	60	86	M12
LBS4a	630 A	254	174	260	290	224	195	M12	254	162	135	60	93	M12

all dimensions in millimetres



Fuse switch-disconnector LBS4a with auxiliary switch DS

Size	1ST4	2ST4	3ST4
A	128	159	159



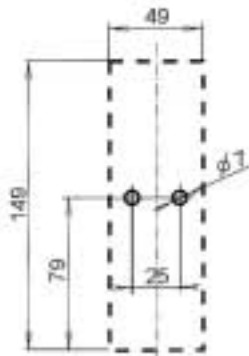
# Fuse Bases for NH Fuse Links

Dimensional Data

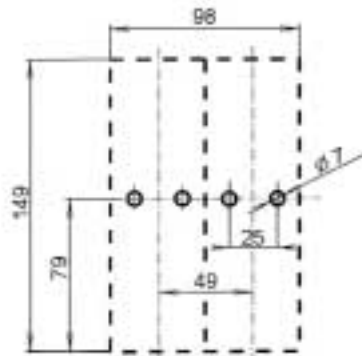
Dimensions in millimetres

Size 00

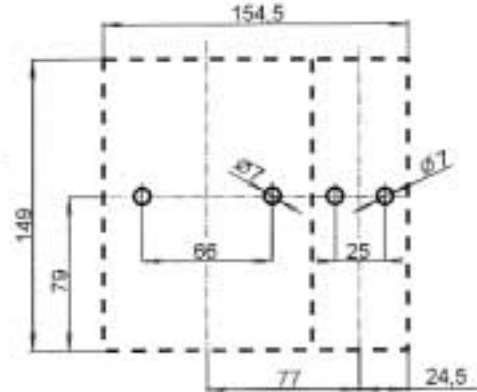
1 Pole



2 Pole

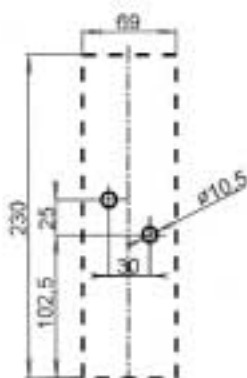


3 Pole

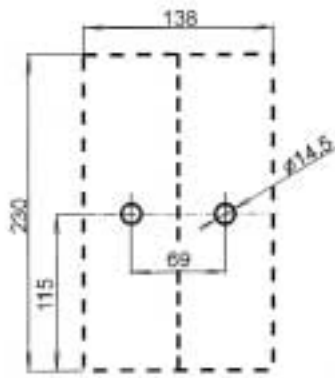


Size 1

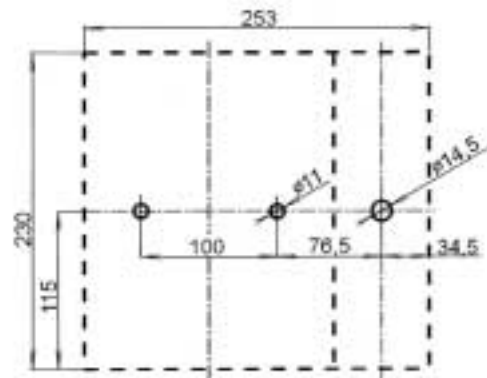
1 Pole



2 Pole

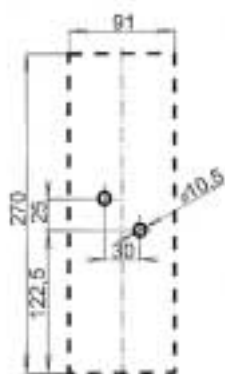


3 Pole

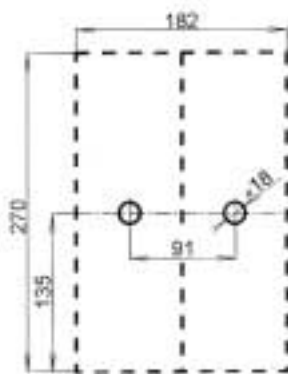


Size 3

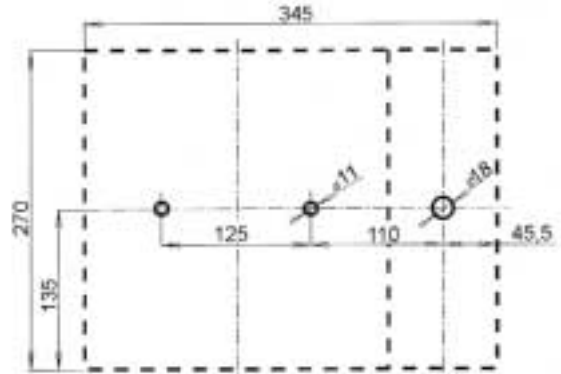
1 Pole



2 Pole



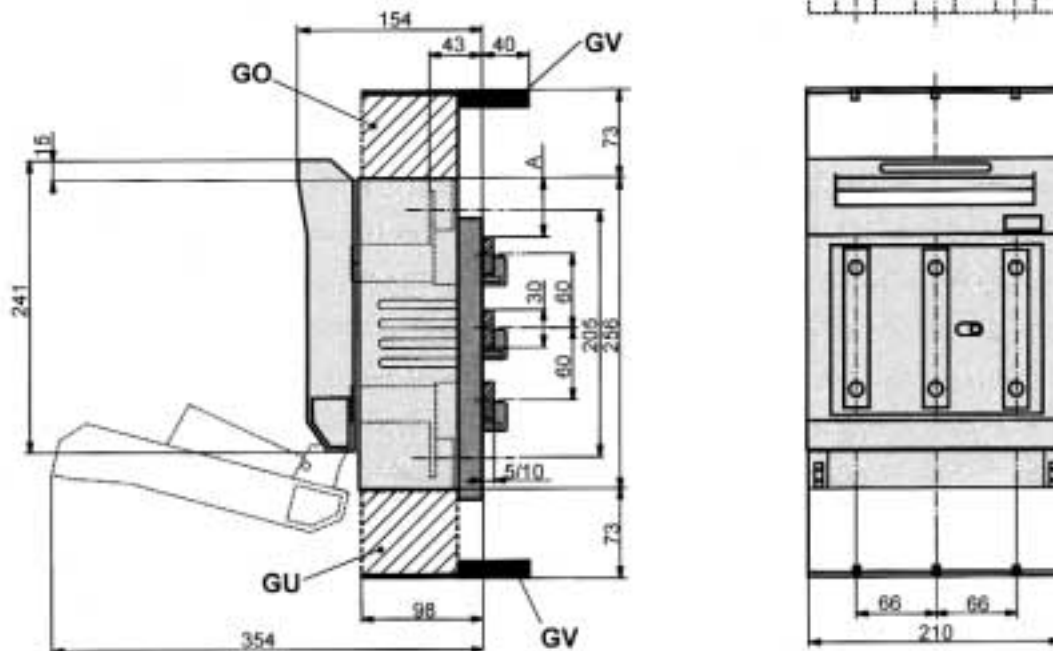
3 Pole



## Fuse Bases for NH Fuse Links

Dimensional Data

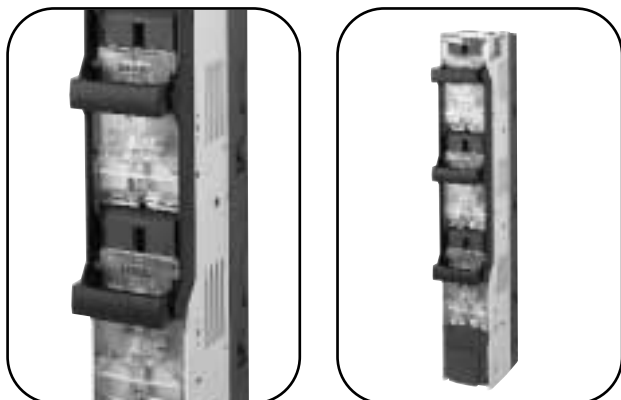
Fuse switch-disconnector LBS2 with adapter for busbar systems



Dimensions in millimetres

Type	A
Cable outlet at the bottom	60
Cable outlet at the top	48

## Vertical Fuse Switch - Disconnectors



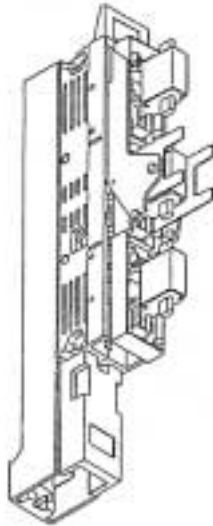
- For use with size C00 to Size 3 fuse links
- Rated at 690V AC
- Fully Shrouded
- Comprehensive range of accessories
- Contact Bussmann for further information

### Fuse Switch-Disconnecter Technical Data

Part Number	BLOO Series	BFD1 Series	BFD2 Series	BFD3 Series
Size of Fuse links Accommodated	C00 & 00	01 (1S) & 1	02 (2S) & 2	03 (3S) & 3
Number of Poles Available	3 Pole ONLY			
Maximum power loss of fuse links	12W	23W	34W	48W
Rated Current	160A	250A	400A	630A
Rated Voltage	690V AC			
Conditional Short-circuit Current	50 kA			
Utilisation Category	AC22B	AC22B	AC22B	AC22B
Mechanical Durability (cycles)	1700	1400	800	800
Weight	1.400 kg	5.500 kg	5.500 kg	6.000 kg
Degree of Protection	IP 20			
Permissible Ambient Temperature	-25°C to +55°C			
Altitude Limit (metres)	Up to 2000m			
Overvoltage Category	AC III	AC III	AC III	AC III
Seismic Withstand Capability	1.5g / 8 to 50Hz			

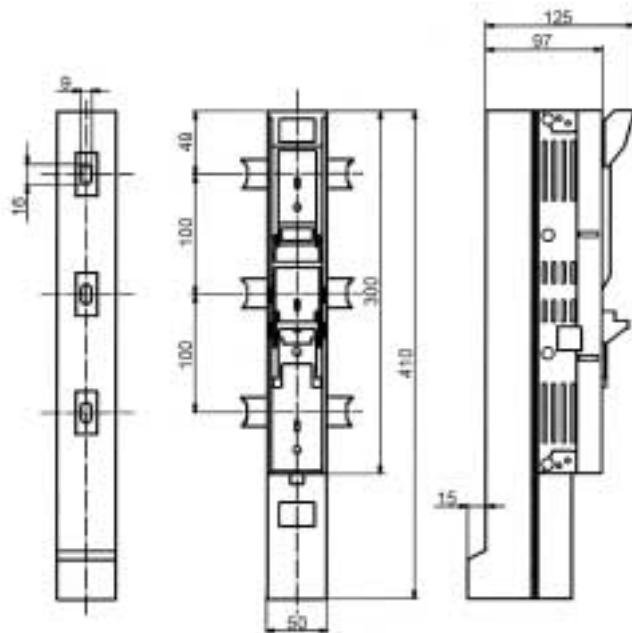
## Vertical Fuse Switch - Disconnectors

Dimensional Data



Visible circuit disconnection by disconnector is indicated by parked position

Dimensions in millimetres



Standard delivery:  
- switch-disconnector is equipped with terminal screws M8 F00/3 on the cable outlet

Dimensions in millimetres

Type	$I_n$ A	Control	Outgoing Terminals
VLB00 Series	160	3-pole	terminal screws M8F00/3

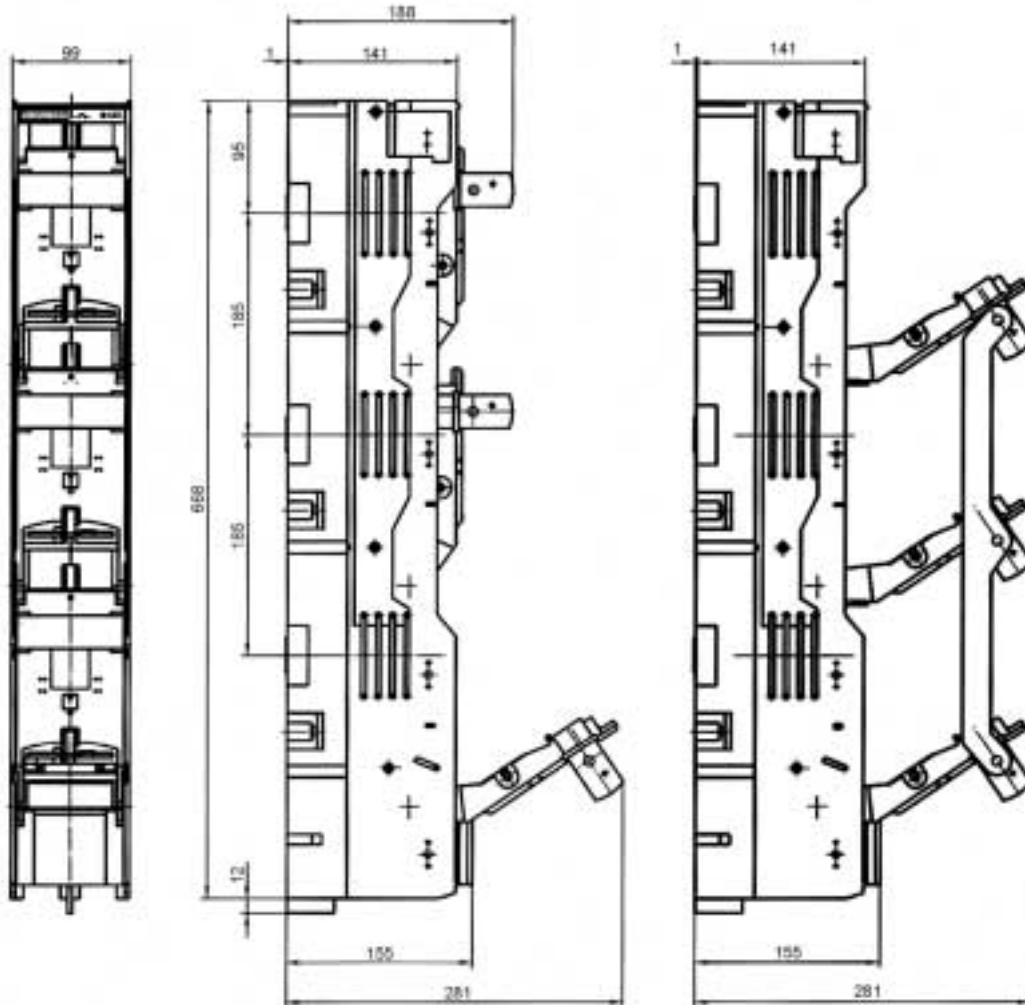
## Vertical Fuse Switch - Disconnectors

Dimensional Data

BFD1..., BFD3..., BFD3...

1 POLE SWITCHABLE

3 POLE SWITCHABLE

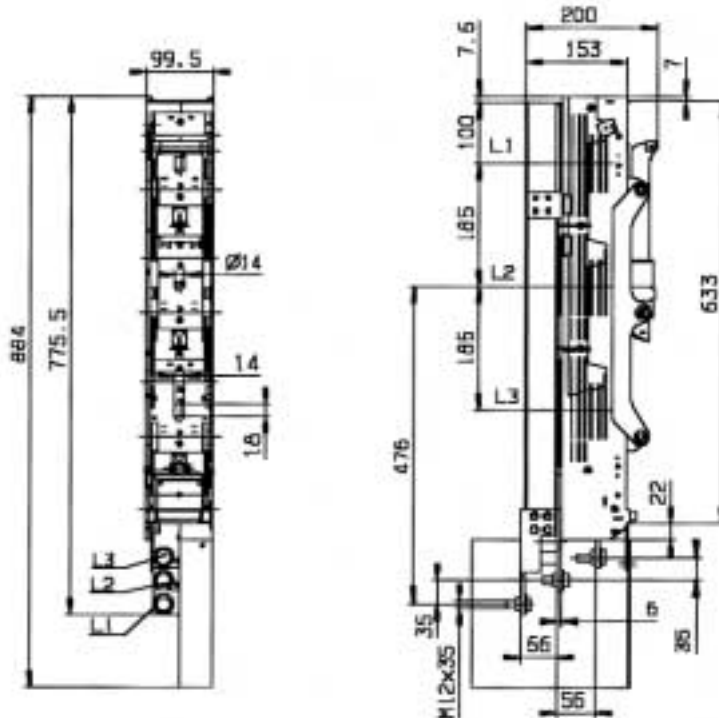


Dimensions in millimetres

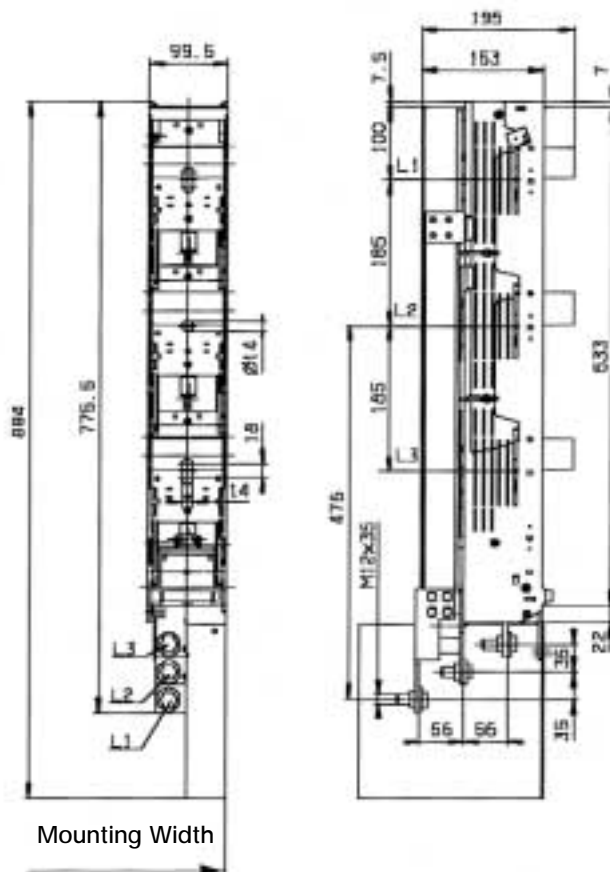
Vertical Fuse Switch - Disconnectors

Dimensional Data

**VLB00 SERIES**  
3 pole switchable



**VLB00 SERIES**  
1 pole switchable



Dimensions in millimetres

Mounting Width